



**01 COMPACT DESIGN
LESS SIZE AND WEIGHT**

The permanent magnet DC motor has a simple structure and is small and lightweight. Composed of stator, rotor, permanent magnet and end cover.

**02 HIGH ENERGY EFFICIENCY
5-12% HIGHER**

5-12% higher than same power of synchronous motors. The rotor permanent magnet has low magnetic permeability and high internal resistance. The silicon rotor core reducing eddy current loss.

**03 HIGH TORQUE DENSITY
WITH GREATER OUTPUT**

The permanent magnet DC motor can generate relatively large torque under a smaller size and weight, and has a very high torque density.

**04 WIDER SPEED
REGULATION & CONTROL**

By changing the input voltage or current of the motor, the speed motor can be easily adjusted, and the speed regulation range is wide.

**05 SMALL ROTOR INERTIA
FOR RAPID RESPONSE**

The rotor inertia of the permanent magnet DC motor is relatively small, which enables it to quickly respond to control signals and achieve quick start and stop.

**06 WIDE EFFICIENCY RANGE
AND LONG DURATION**

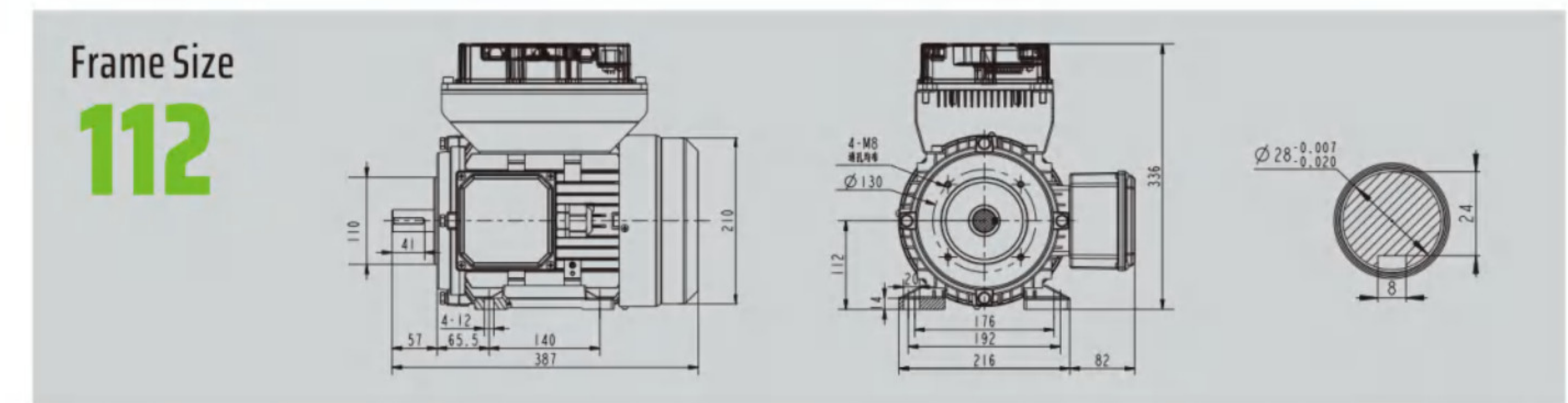
Under rated load, the efficiency of the permanent magnet brushless motor system is greater than 80% in a range that accounts for more than 70% of the entire speed range of the motor.

**07 HIGH POWER FACTOR
CLOSE TO 1**

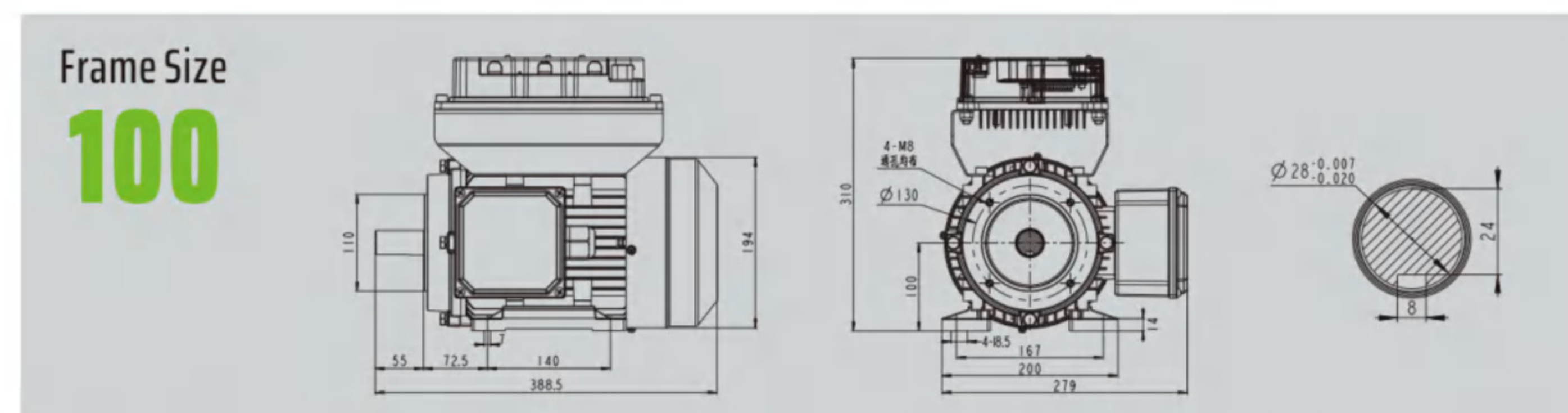
Without rotor excitation, it can utilize electrical energy more efficiently during operation, reducing reactive power loss. The power factor is close to 1.

**08 HIGH STARTING TORQUE
UP TO 4X THAN RATED**

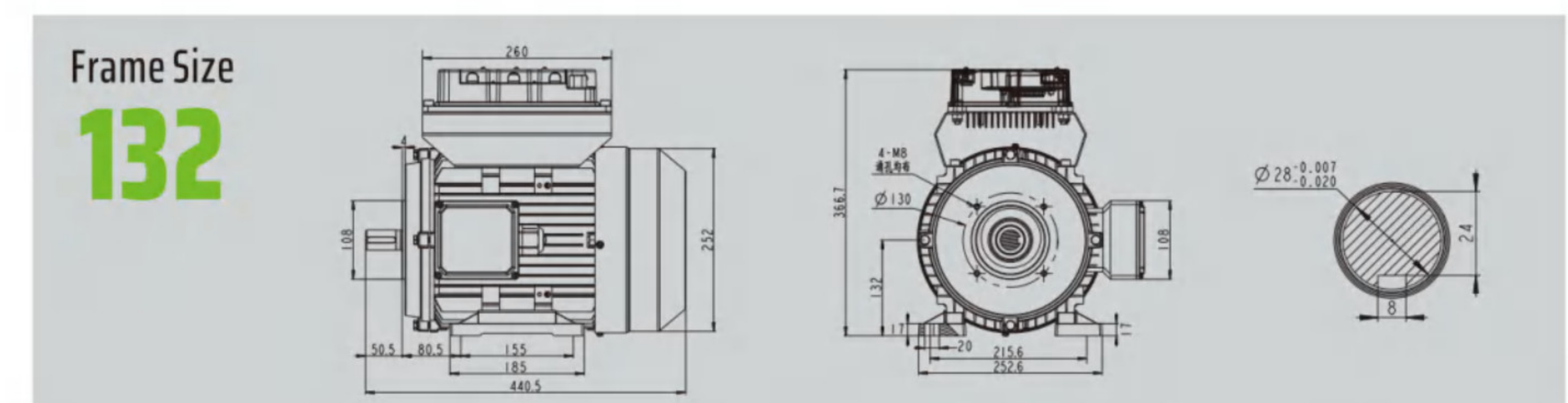
The DC motor has a large starting torque and a small starting current, which can reduce the impact on the power supply. The max torque can reach 4 times the rated torque.



MODEL	VOLTAGE V	RATED POWER kW	POLE NO.5	RATED SPEED RPM	EFFICIENCY %	FLANGE TYPE	PROTECTION CLASS
WS-112-48-5.5-8	DC48	5.5	8	1500	86.2	B34	IP54
WS-112-60-5.5-8	DC60	5.5	8	1500	87.4	B34	IP54
WS-112-72-5.5-8	DC72	5.5	8	1500	86.2	B34	IP54
WS-112-60-7.5-8	DC60	7.5	8	1500	88.0	B34	IP54
WS-112-72-7.5-8	DC72	7.5	8	1500	89.6	B34	IP54
WS-112-82-7.5-8	DC82	7.5	8	1500	87.8	B34	IP54



MODEL	VOLTAGE V	RATED POWER kW	POLE NO.5	RATED SPEED RPM	EFFICIENCY %	FLANGE TYPE	PROTECTION CLASS
WS-100-48-3-10	DC48	3	10	1500	83.7	B34	IP54
WS-100-60-3-10	DC60	3	10	1500	85.5	B34	IP54
WS-100-72-3-10	DC72	3	10	1500	87.7	B34	IP54
WS-100-82-3-10	DC82	3	10	1500	87.7	B34	IP54
WS-100-96-3-10	DC93	3	10	1500	87.7	B34	IP54
WS-110-48-4.5-10	DC48	4.5	10	1500	87.7	B34	IP54
WS-110-60-4.5-10	DC60	4.5	10	1500	89.7	B34	IP54
WS-110-72-4.5-10	DC72	4.5	10	1500	89.7	B34	IP54
WS-100-82-4.5-10	DC82	4.5	10	1500	89.7	B34	IP54
WS-100-96-4.5-10	DC96	4.5	10	1500	90.7	B34	IP54
WS-100-600-3.5-10	DC600	3.5	10	1500	93.3	B34	IP54



MODEL	VOLTAGE V	RATED POWER kW	POLE NO.5	RATED SPEED RPM	EFFICIENCY %	FLANGE TYPE	PROTECTION CLASS
WS-132-540-11-8	DC540	11	8	1500	93.6	B34	IP54
WS-132-540-15-8	DC540	15	8	1500	94.0	B34	IP54